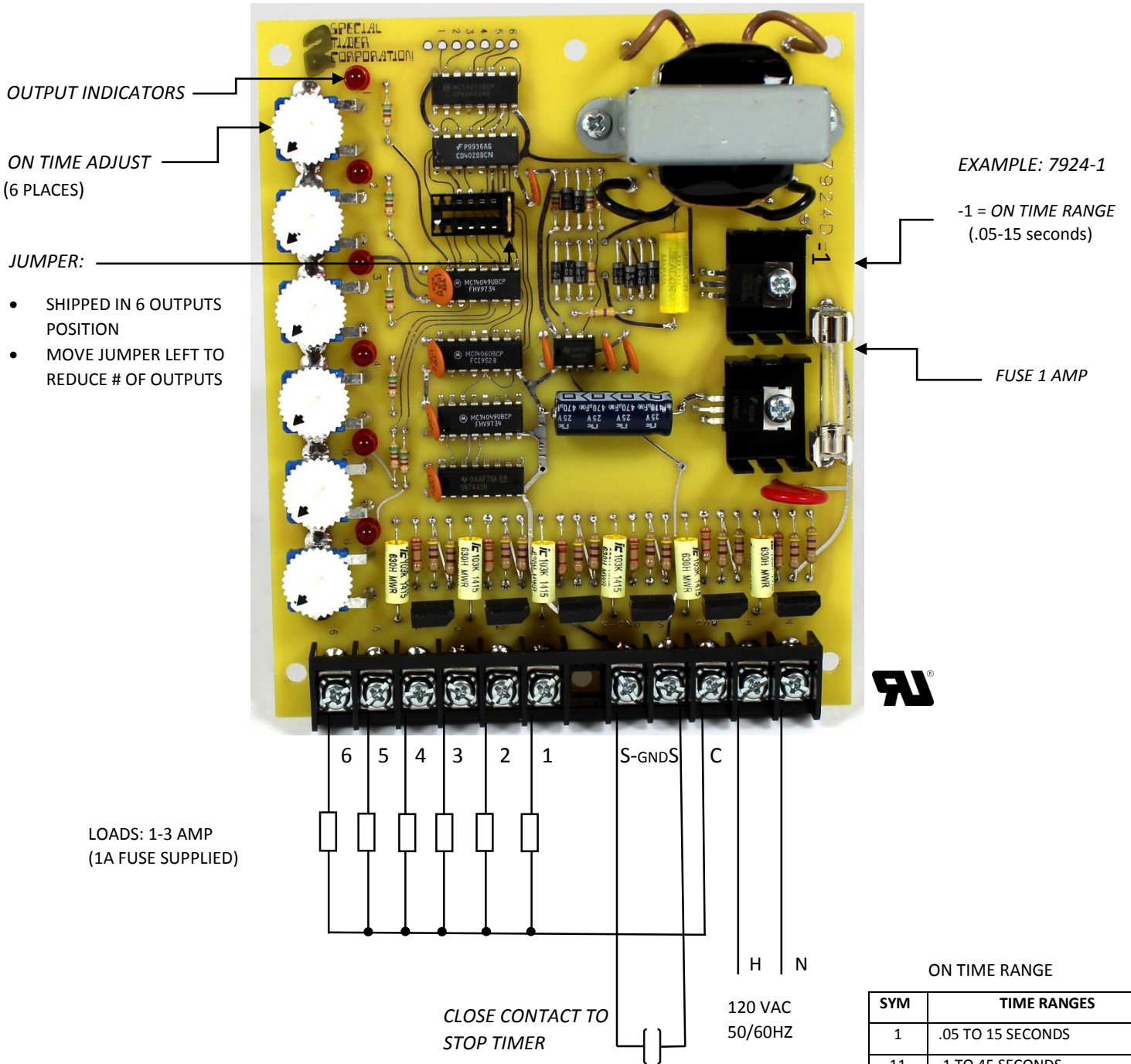


MODEL 7924 FIELD CONNECTION DIAGRAM



SEQUENCE:

- No. 1 ON THEN NO. 2 ON AND SO ON TO LAST OUTPUT. THEN BACK TO No. 1 AND CYCLE REPEATS
- ON TIMES ARE INDEPENDENTLY ADJUSTABLE
- FOR AVAILABLE TIMES SEE TABLE AT RIGHT

ON TIME RANGE

SYM	TIME RANGES
1	.05 TO 15 SECONDS
11	.1 TO 45 SECONDS
21	.5 TO 180 SECONDS
31	1 TO 6 MINUTES
41	5 SECONDS TO 30 MINUTES
51	10 SECONDS TO 1 HOUR
61	15 SECONDS TO 2 HOURS
71	45 SECONDS TO 4 HOURS
81	1.5 MINUTES TO 8 HOURS