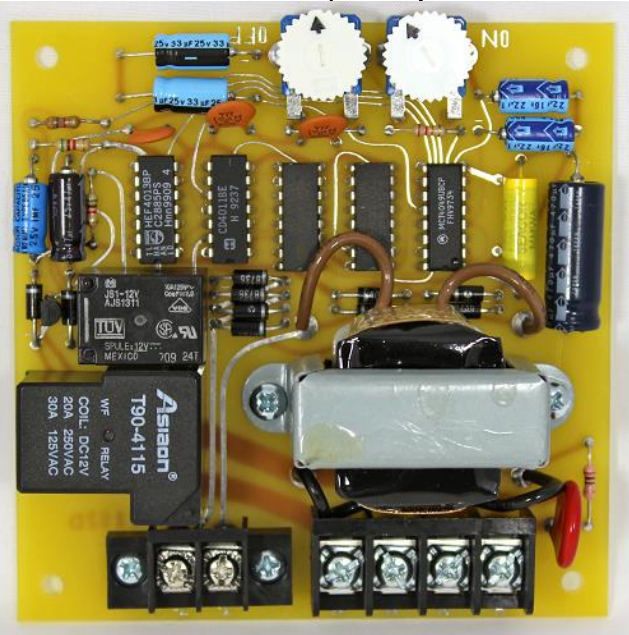
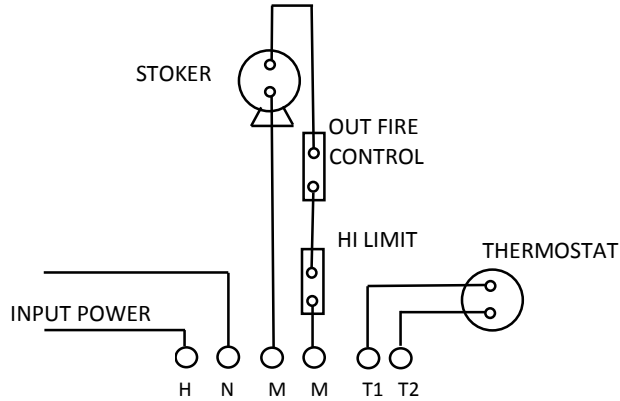


MODEL 7802 FIELD CONNECTION DIAGRAM

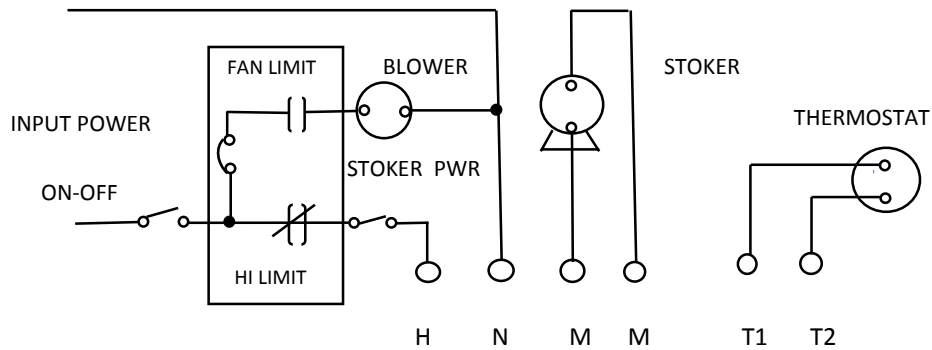
OFF TIME ADJUST ON TIME ADJUST



T2 T1 M M N H



WIRING DIAGRAM FOR DIRECT CONTROL



WIRING DIAGRAM USING FAN AND LIMIT CONTROL

OPERATION DETAILS

- TWO DIALS ON THE TIMER ALLOW ADJUSTMENT FOR ON AND OFF TIME (SMALL CHANGES RECOMMENDED)
- TIMING SHALL CONTINUE DURING SHORT POWER OUTAGES. SHOULD LOSS OF POWER BE EXTENDED, "ON" TIME WILL BE INITIATED WHEN POWER RETURNS TO MAINTAIN FIRE. THERMOSTAT ACTIVATION WILL TURN STOKER ON AND RESTART "OFF" TIME TO SAVE UN-NEEDED FUEL WHEN THERMOSTAT OPENS

ON TIME RANGE

- 1-4 MINUTES ADJUSTABLE
- PRESET TO 2 MINUTES

OFF TIME RANGE

- 1-60 MINUTES ADJUSTABLE
- PRESET TO 30 MINUTES

SPECIFICATIONS

- ALL WIRING MUST COMPLY WITH LOCAL CODES AND ORDINANCES
- VOLTAGE INPUT: 120 VAC 50/60 HZ
- OUTPUT ELECTRICAL RATING: 7802D-120 : 30 AMP-3/4 HP
- USE WITH 2 WIRE 24 VOLT THERMOSTAT