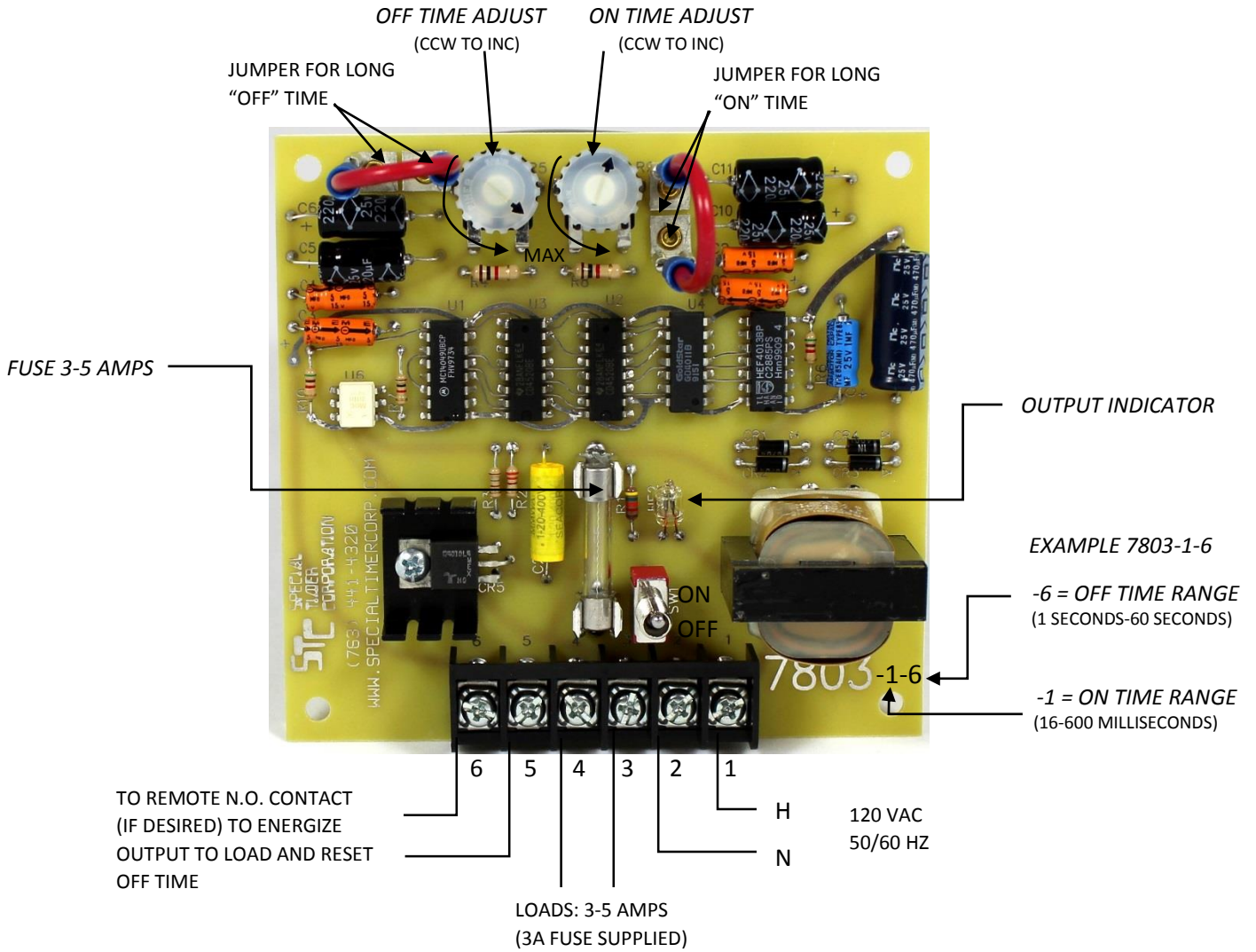


MODEL 7803 FIELD CONNECTION DIAGRAM



OPERATION DETAILS:

- TERMINALS #5 AND #6 ARE MANUAL OR TEST TERMINALS AND MAY BE USED WITH AUTOMATIC REQUIREMENTS. CONNECTING #5 AND #6 WILL TURN ON OUTPUT SIGNAL AND RESTART TIMING OF "OFF" TIME WHEN CONNECTION IS REMOVED

ON AND OFF TIME RANGE

SYM	TIME RANGES
1	16 TO 600 MILLISECONDS
2	30 MILLISECONDS TO 1.2 SECONDS
3	.1 TO 6 SECONDS
4	.2 TO 12 SECONDS
5	.3 TO 20 SECONDS
6	1 TO 60 SECONDS
7	2 SECONDS TO 2 MINUTES
8	15 SECONDS TO 10 MINUTES
9	.5 TO 20 MINUTES
10	1 TO 45 MINUTES
11	3 MINUTES TO 2 HOURS
12	3 MINUTES TO 8 HOURS